



NEW HOLLAND
CONSTRUCTION

SKID STEER LOADERS

LS170

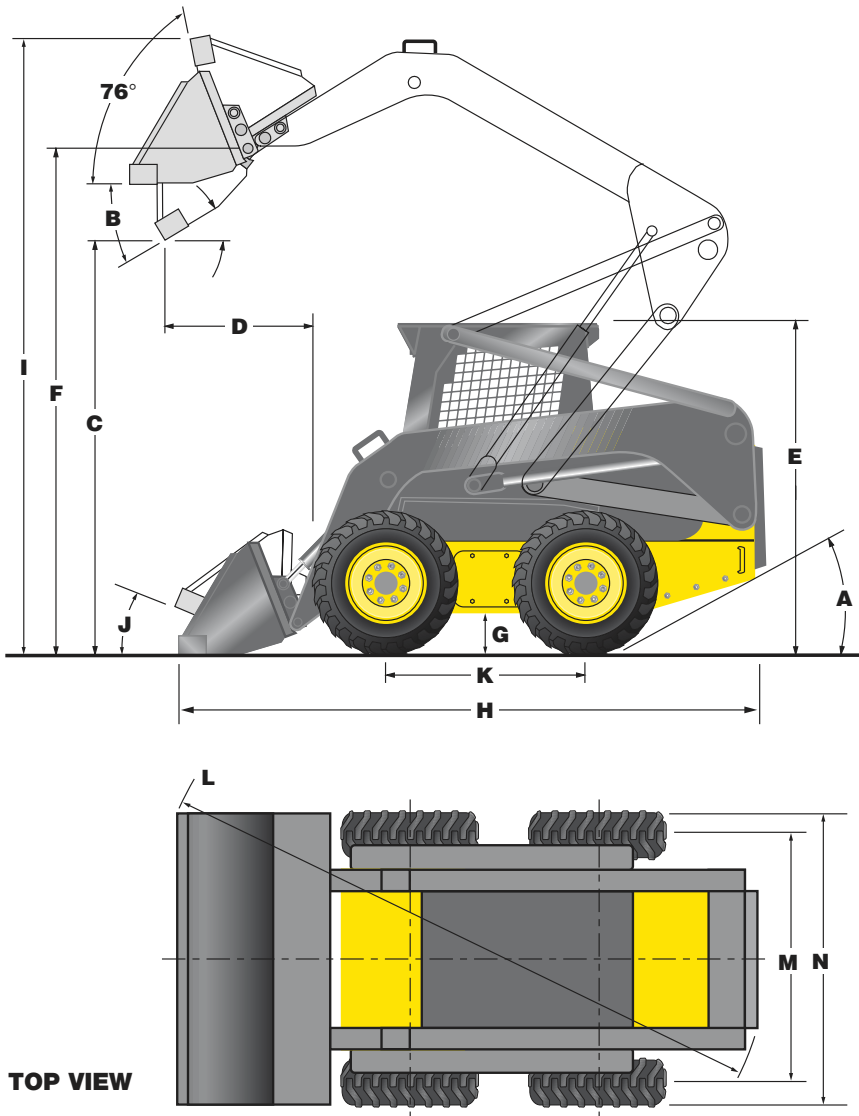
Specifications



www.newhollandconstruction.com

LS170 Specifications

LS170 DIMENSIONS



- A. Angle of departure..... 23°
- B. Dump angle (maximum)45°
- C. Dump height (SAE).....90" (230 cm)
- D. Dump reach
@ maximum height (SAE).....29" (74 cm)
- E. Height.....74.75" (190 cm)
- F. Height to hinge pin115.5" (293 cm)
- G. Ground clearance.....7.7" (20 cm)
- H. Length with bucket.....125.0" (318 cm)
- I. Operating height (maximum) ...140" (356 cm)
- J. Rollback angle (at carry position).....36°
- K. Wheelbase.....42.5" (108 cm)
- L. Turning radius:
Front.....74" (188 cm)
Rear60" (152 cm)
- M. Wheel tread
w/ 10.00 x 16.5 tires.....55" (140 cm)
- N. Width65.6" (167 cm)

* Equipped with 66" 15.2 cu. ft. dirt and foundry bucket and 10.00 x 16.5 tires.

BUCKETS

Type	Width	SAE Heaped cap	SAE Struck cap	Weight
Dirt/Foundry	60" (152 cm)	11.5 ft ³ (.31 m ³)	8.7 ft ³ (.24 m ³)	270 lb (122 kg)
Dirt/Foundry	66" (167 cm)	15.2 ft ³ (.41 m ³)	11.6 ft ³ (.31 m ³)	370 lb (168 kg)
Dirt/Foundry	72" (183 cm)	16.7 ft ³ (.45 m ³)	12.7 ft ³ (.34 m ³)	390 lb (177 kg)
Low profile	60" (152 cm)	11.5 ft ³ (.31 m ³)	8.9 ft ³ (.24 m ³)	330 lb (150 kg)
Low profile (extended)	60" (152 cm)	14.3 ft ³ (.40 m ³)	10.3 ft ³ (.29 m ³)	360 lb (163 kg)
Low Profile (extended)	66" (167 cm)	15.5 ft ³ (.42 m ³)	11.2 ft ³ (.32 m ³)	434 lb (197 kg)
Low Profile (extended)	72" (183 cm)	17.1 ft ³ (.48 m ³)	12.2 ft ³ (.35 m ³)	477 lb (216 kg)
Light Material	60" (152 cm)	19.7 ft ³ (.54 m ³)	15.9 ft ³ (.43 m ³)	350 lb (159 kg)
Light Material	72" (183 cm)	23.7 ft ³ (.65 m ³)	19.0 ft ³ (.52 m ³)	435 lb (197 kg)
Light Material	84" (213 cm)	27.9 ft ³ (.79 m ³)	22.3 ft ³ (.64 m ³)	500 lb (227 kg)
Manure/fertilizer	60" (152 cm)	16.7 ft ³ (.45 m ³)	12.9 ft ³ (.35 m ³)	340 lb (154 kg)
Manure/fertilizer	72" (183 cm)	19.1 ft ³ (.52 m ³)	15.5 ft ³ (.42 m ³)	465 lb (211 kg)

CAPACITIES

Chain case & Gearbox (ea. side)	3.25 gal (12.3 L)
Cooling system	10.8 qt (10.2 L)
Engine crankcase (w/filter)	8.8 qt (8.3 L)
Fuel tank	14.4 gal (54.5 L)
Hydraulic oil system	8.6 gal (32.6 L)

PERFORMANCE**ANGLES:**

Maximum bucket dump angle at full height	46°
Maximum rollback @ ground	36°

BREAKOUT FORCE:

SAE Bucket breakout force	3,712 lb (1687 kg)
SAE Boom breakout force	2,820 lb (1285 kg)

CYCLE TIMES:

Raising time (with SAE operating load)	2.7 sec
Dumping time (with SAE operating load)	1.7 sec
Lowering time (empty)	2.3 sec
Retract time (empty)	1.5 sec
Total boom-cycle time	8.2 sec

DUMP REACH:

SAE @ 45°	28" (71.1 cm)
-----------------	---------------

GROUND SPEED MAX

7.5 mph (12.1 kph)

OPERATING LOAD:

SAE	1,765 lb (801 kg)
-----------	-------------------

OPERATING WEIGHT:

SAE*	5,540 lb (2513 kg)
------------	--------------------

TIPPING LOAD:

Without weights per SAE J-732	3,530 lb (1293 kg)
-------------------------------------	--------------------

* Base unit plus full fuel tank, 175 lb (79 kg) operator, 60" dirt and foundry bucket, 10.00 x 16.5 tires.

POWER TRAIN

Axle diameter	2.0" (5.08 cm)
Chain size	80 HD (2 per chain case)
Final drive	double reduction chain/chain drive
FORWARD AND REVERSE SPEEDS:	0-7.5 mph (0-12.1 kph)
HYDROSTATIC TRANSMISSIONS:	
Hydrostatic transmission pumps variable displacement axial piston	2.48 in ³ (41 cc)
Fixed displacement axial piston motor	5.04 in ³ (82.6 cc)
Wheel torque	3,918 ft-lb (5313 nm)

ELECTRICAL

Alternator:	40 amp
Battery:	12-volt 625 CCA @ 0°F (-18°C) maintenance free
System protection:	15 amp fuse

INSTRUMENTS: Hour meter, voltage alarm, hydraulic oil temperature light & alarm; coolant temperature light and alarm, fuel gauge, transmission charge pressure light and alarm, engine oil pressure light and alarm, seat belt light, air cleaner restriction light and alarm, transmission filter restriction light and alarm, parking brake reminder light.

ENGINE

Manufacturer	New Holland
Model number	N844T, turbocharged
Air cleaner	Dual stage, dry element filter
Bore and stroke	3.3" x 3.54" (8.37 cm x 8.98 cm)
Number of cylinders	4
Displacement	121.7 in ³ (1995 cc)
Fuel	Diesel

HORSEPOWER:

Gross	52 hp (38.8 kW)
SAE net	50 hp (37.3 kW)

SPEEDS:

Fast, no load	3,130-3,180 rpm
Idle, no load	900-1,000 rpm
Peak Torque @ 1700 RPM	113 ft-lb (153 nm)
Torque Rise	20%

HYDRAULICS**BOOM CYLINDERS**

Make	New Holland double acting
Bore and stroke	2.5" x 18.51" (6.35 cm x 47 cm)
Rod size	1.38" (3.5 cm)

BUCKET CYLINDERS

Make	New Holland double acting
Bore and stroke	2.25" x 17.88" (5.7 cm x 45.4 cm)
Rod size	1.25" (3.2 cm)
Control valve	Three spool, open center
Filtration	Spin-on filter
Hydraulic pump	Gear type, 17.7 gal
High Flow Hydraulics (if equipped)	Gear type, 24.5 gpm
Oil reservoir	3.9 gal (14.8 L)
Relief pressure setting	2,500-2,600 psi

LS170 Standard and Optional Equipment

STANDARD EQUIPMENT

ENGINE

New Holland N844 Turbo
Dual stage, dry element air filter
Timed glow plug
Indirect injection diesel
Block heater

HYDRAULICS

New Holland double-acting boom cylinders
New Holland double-acting bucket cylinder
Three-spool, open-center control valve
Spin-on filter, 4 micron
Gear-type, 17.7-gpm hydraulic pump

TRANSMISSION

Variable displacement axial piston pumps,
axial piston motors
80 HD chain
Double reduction gear/chain final drive
7.5-mph top speed

ELECTRICAL

12-volt system
40-amp alternator
Single battery with 625 CCA
Fuse Circuit Protectors
Hour meter
Voltage Alarm
Hydraulic oil temperature light and alarm
Coolant temperature light and alarm
Fuel gauge
Transmission charge pressure light and
alarm
Engine oil pressure light and alarm
Seat belt light
Air cleaner restriction light and alarm
Transmission filter restriction light and
alarm
Parking brake reminder light

LIGHTING

Worklights - two front halogen,
one rear halogen

SERVICE

Removable side engine panels (no tools
required)
Lift-up seat pan (no tools required)
Boom and cab tilting feature
Rear engine door/top engine cover
50-hour lube interval
Low-mounted fuel fill
Radiator moves for cleaning access

SAFETY

Back-up alarm
Horn
In-cab boom lockouts, manual engage
Operator restraint system
Mechanical control valve spool locks
ROPS operator area

VANDAL PROTECTION

Lockable rear door, engine cover and side
panels
Enclosed fuel cap
Enclosed hydraulic fill

ACCESSORIES

Boom hydraulics with flat-face couplers
Cab headliner
Suspension Seat

FACTORY AND DEALER INSTALLED OPTIONS

LIGHTING

Four-way flashers/warning lights

TIRES

Heavy-Duty Bar Lug Tread
Standard Bar Lug Tread
TyrLiner™ filler
*Please see your dealer to discuss
the other tire options available.

ACCESSORIES

12-volt accessory power plug
Armrests
Bucket adapter kit
Bucket spill guard (low-profile buckets only)
Bucket tooth kit (low-profile, dirt & foundry
only)
Cab jack kit
Cab enclosure
Cab side window kit
Catalytic muffler
Deluxe instrument panel
Demolition door kit
Fire extinguisher bracket kit
Flat-face couplers
Hand controls
Heater/defroster
High Flow Hydraulics
Hydraulic mount plate
Precleaner/aspirator
Rearview mirror
Three-inch seatbelt
Shoulder belt
SMV signs
Top window
Warning beacon
Weight kit

BUCKETS

60" Dirt/Foundry
66" Dirt/Foundry
72" Dirt/Foundry
60" Low Profile
66" Low Profile extended
72" Low Profile extended
60" Light Material
72" Light Material
84" Light Material
60" Manure/Fertilizer
72" Manure/Fertilizer

FORKS/GRAPPLES

Pallet Forks
Utility Forks
Utility Grapple

Design, materials and/or specifications are subject to change without notice and without liability therefor. Specifications are applicable to units sold in Canada, the United States, its territories and possessions, and may vary outside these areas.

Visit our website at www.newhollandconstruction.com

© 2005 CNH America LLC



Safety begins with a thorough understanding of the equipment. Always make sure you and your operators read the Operator's Manual before using the equipment. Pay close attention to all safety and operating decals and never operate machinery without all shields, protective devices and structures in place.

Stock #NHC12170402-SS2 • 020520 • API • PRINTED IN U.S.A.



NEW HOLLAND CONSTRUCTION IS A BRAND OF CNH.

A GLOBAL LEADER FOR CONSTRUCTION EQUIPMENT, AGRICULTURE EQUIPMENT AND FINANCIAL SERVICES.



**NEW HOLLAND
CONSTRUCTION**